

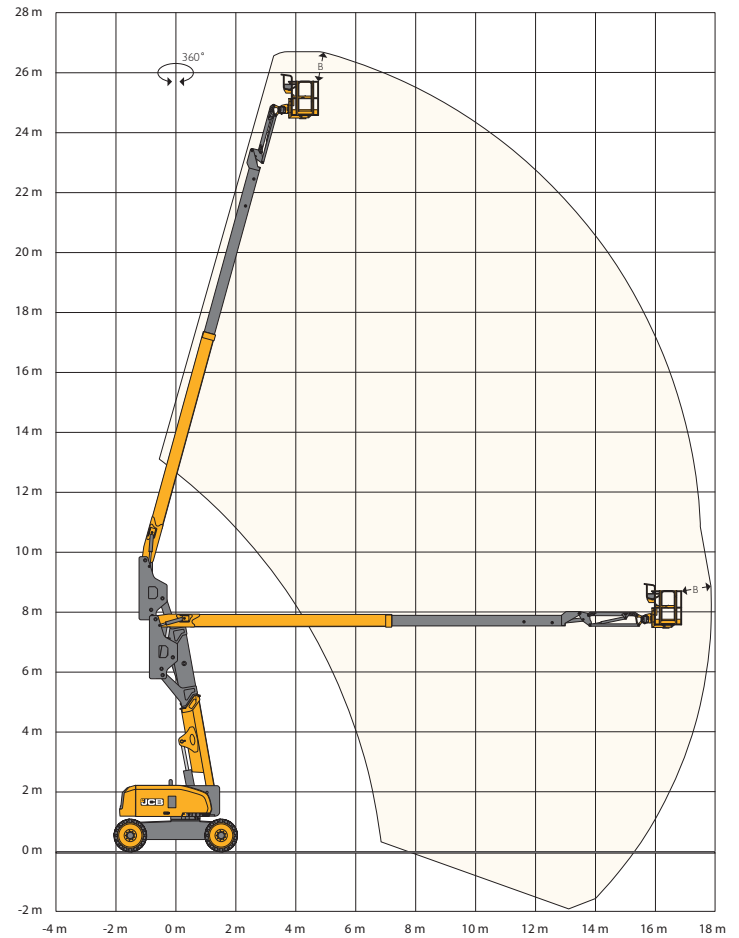
# ARTICULATED BOOM AJ80D



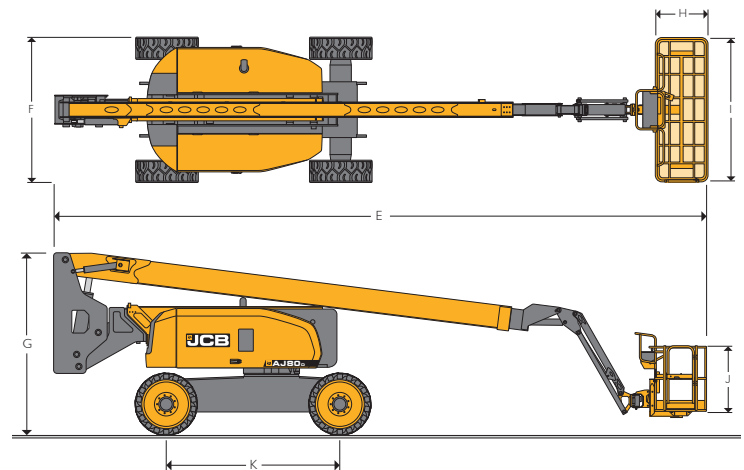
## MACHINE SPECIFICATIONS

REACH PERFORMANCE		METRIC	IMPERIAL
A	Max. Platform Height	m / ft ins	24.6 / 80' 9"
B	Max. Working Height	m / ft ins	26.6 / 87' 3"
C	Max. Outreach	m / ft ins	16.1 / 52' 10"
D	Max. Up & Over Height	m / ft ins	9.4 / 30' 10"
DIMENSIONS			
E	Length - Stowed	m / ft ins	11.36 / 37' 3"
F	Width - Stowed	m / ft ins	2.48 / 8' 2"
G	Height - Stowed	m / ft ins	3.16 / 10' 4"
H	Platform Length	m / ft ins	1.45 / 4' 9"
I	Platform Width	m / ft ins	0.85 / 2' 9"
J	Platform Height	m / ft ins	1.24 / 4' 1"
K	Wheelbase	m / ft ins	3.05 / 10' 0"
L	Weight <sup>1</sup>	kg / lbs	17,100 / 37,706
M	Tail Swing	m / ins	1.00 / 3' 3"
N	Ground Clearance	m / ins	0.39 / 15.0
PERFORMANCE			
O	Platform Occupants		2
P	Platform Capacity	kg / lbs	250 / 551
Q	Platform Rotation	°	160
R	Machine Rotation	°	360
S	Drive & Steer Mode		4WD, 2WS
T	Max. Driving Speed (Stowed)	km/h / mph	4.8 / 3.0
U	Max. Driving Speed (Raised)	km/h / mph	1.1 / 0.7
V	Gradeability	%	45
W	Max. Allowable Slope	°	5
X	Tyre Type		Solid
Y	Tyre Size		385x65 -24 / 12.0-20
Z	Turning Radius (Inside)	m / ft ins	3.0 / 9' 10"
AA	Turning Radius (Outside)	m / ft ins	6.3 / 20' 8"
AB	Voltage	v	12
ENGINE			
AC	Make		JCB by Kohler
AD	Emissions Level		Stage IIIa
AE	Model		KDI 2504 TCR
AF	Power	kW / hp	54.5 / 73.1
AG	Rated Speed	RPM	2,200
AH	Turbo		Yes
AI	Intercooler		Yes
AJ	Fuel Tank Capacity	L / US gal	160 / 42.3

## WORK ENVELOPE



## DIMENSIONS



## NOTES

<sup>1</sup>Machine weight may vary with regional requirements and specific options.