

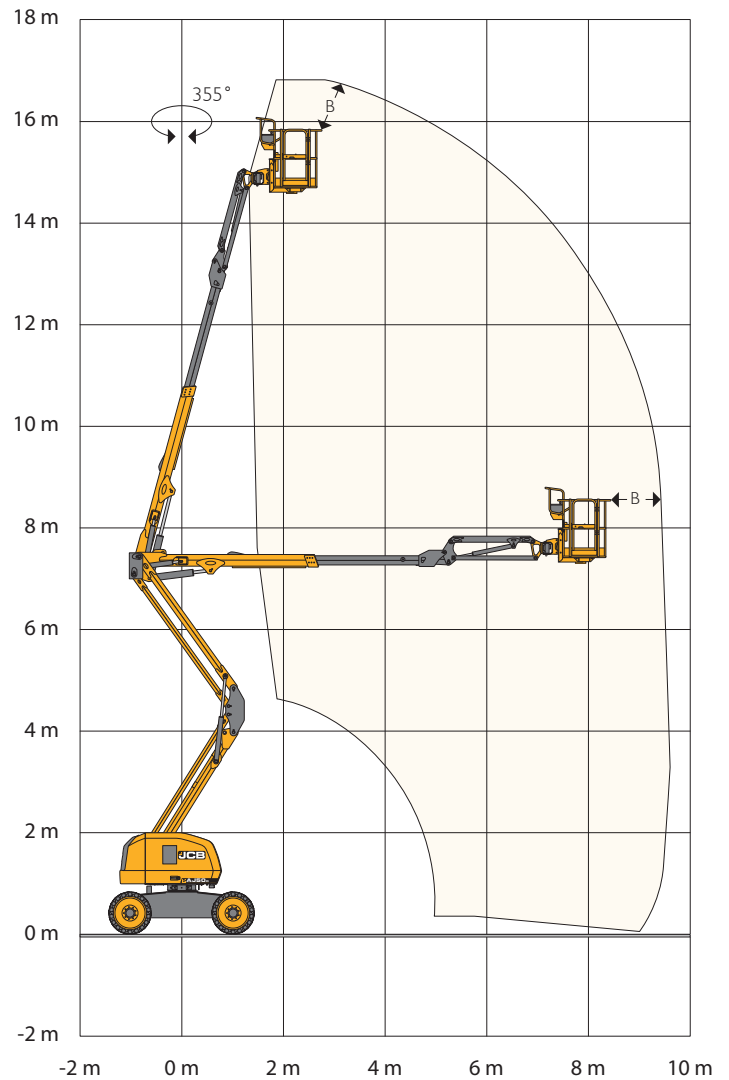
ARTICULATED BOOM AJ50D



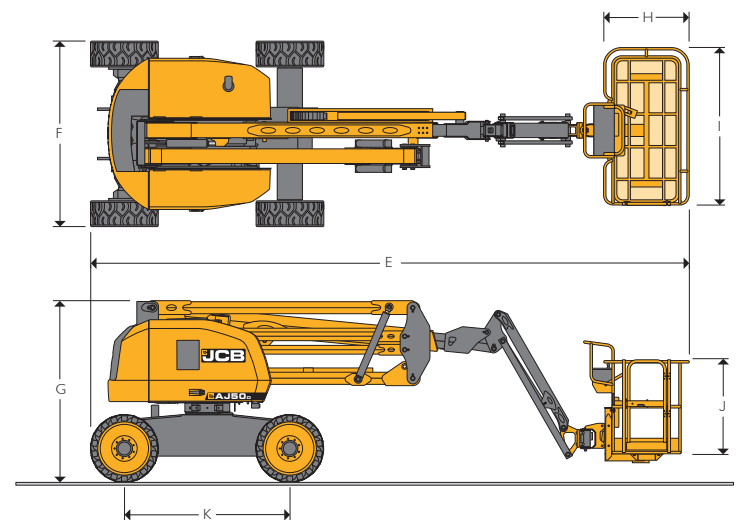
MACHINE SPECIFICATIONS

| REACH PERFORMANCE | | METRIC | IMPERIAL |
|-------------------|-----------------------------|------------|----------------|
| A | Max. Platform Height | m / ft ins | 14.7 / 48' 3" |
| B | Max. Working Height | m / ft ins | 16.7 / 54' 3" |
| C | Max. Outreach | m / ft ins | 8.3 / 27' 3" |
| D | Max. Up & Over Height | m / ft ins | 7.2 / 23' 7" |
| DIMENSIONS | | | |
| E | Length - Stowed | m / ft ins | 7.35 / 24' 1" |
| F | Width - Stowed | m / ft ins | 2.26 / 7' 5" |
| G | Height - Stowed | m / ft ins | 2.23 / 7' 4" |
| H | Platform Length | m / ft ins | 0.85 / 2' 9" |
| I | Platform Width | m / ft ins | 1.83 / 6' 0" |
| J | Platform Height | m / ft ins | 1.10 / 3' 7" |
| K | Wheelbase | m / ft ins | 2.03 / 6' 8" |
| L | Weight ¹ | kg / lbs | 7,400 / 16,317 |
| M | Tail Swing | m / ins | 0.09 / 3.5 |
| N | Ground Clearance | m / ins | 0.32 / 12.6 |
| PERFORMANCE | | | |
| O | Platform Occupants | | 2 |
| P | Platform Capacity | kg / lbs | 250 / 551 |
| Q | Platform Rotation | ° | 160 |
| R | Machine Rotation | ° | 355 |
| S | Drive & Steer Mode | | 4WD, 2WS |
| T | Max. Driving Speed (Stowed) | km/h / mph | 6.0 / 3.7 |
| U | Max. Driving Speed (Raised) | km/h / mph | 1.1 / 0.7 |
| V | Gradeability | % | 40 |
| W | Max. Allowable Slope | ° | 5 |
| X | Tyre Type | | Solid |
| Y | Tyre Size | | 33x12-20 |
| Z | Turning Radius (Inside) | m / ft ins | 1.8 / 5' 11" |
| AA | Turning Radius (Outside) | m / ft ins | 4.5 / 14' 9" |
| AB | Voltage | v | 12 |
| ENGINE | | | |
| AC | Make | | JCB by Kohler |
| AD | Emissions Level | | Stage IIIa |
| AE | Model | | KDI 1903 TCR |
| AF | Power | kW / hp | 36 / 48 |
| AG | Rated Speed | RPM | 2,600 |
| AH | Turbo | | Yes |
| AI | Intercooler | | Yes |
| AJ | Fuel Tank Capacity | L / US gal | 70 / 18.5 |

WORK ENVELOPE



DIMENSIONS



NOTES

¹Machine weight may vary with regional requirements and specific options.